

Please check the examination details below before entering your candidate information

Candidate surname					Other names			
Pearson Edexcel		Centre Number			Candidate Number			
Level 3 GCE		<input type="text"/> <input type="text"/> <input type="text"/> <input type="text"/> <input type="text"/>			<input type="text"/> <input type="text"/> <input type="text"/> <input type="text"/> <input type="text"/>			
Monday 20 May 2019								
Afternoon (Time: 1 hour 45 minutes)					Paper Reference 9PH0/01			
Physics								
Advanced								
Paper 1: Advanced Physics I								
You do not need any other materials.							Total Marks	

Instructions

- Use **black** ink or ball-point pen.
- **Fill in the boxes** at the top of this page with your name, centre number and candidate number.
- Answer **all** questions.
- Answer the questions in the spaces provided – *there may be more space than you need.*

Information

- The total mark for this paper is 90.
- The marks for **each** question are shown in brackets – *use this as a guide as to how much time to spend on each question.*
- You may use a scientific calculator.
- In questions marked with an **asterisk** (*), marks will be awarded for your ability to structure your answer **logically** showing how the points that you make are related or follow on from each other where appropriate.

Advice

- Read each question carefully before you start to answer it.
- Try to answer every question.
- Check your answers if you have time at the end.
- You are advised to show your working in calculations including units where appropriate.

Turn over ►

P58358A

©2019 Pearson Education Ltd.

1/1/1/1/1/1/



Pearson

Answer ALL questions.

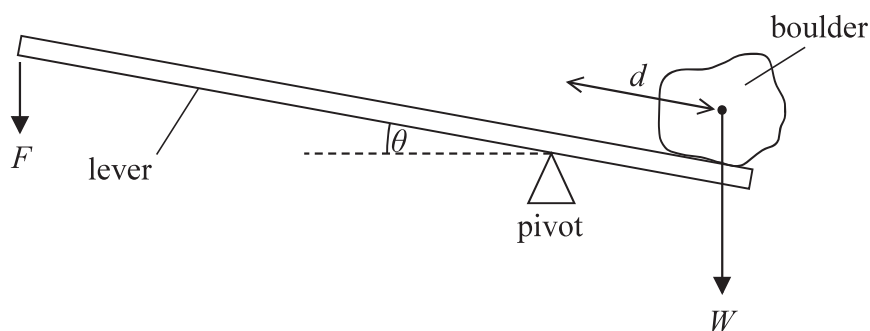
All multiple choice questions must be answered with a cross \boxtimes in the box for the correct answer from A to D. If you change your mind about an answer, put a line through the box \boxtimes and then mark your new answer with a cross \boxtimes .

1 Which of the following particles is an example of a fundamental particle?

- A nucleus
- B neutrino
- C pion
- D proton

(Total for Question 1 = 1 mark)

2 A person uses a pivoted lever to lift a boulder of weight W as shown.



The centre of gravity of the boulder is a distance d from the pivot. The angle of the lever to the horizontal is θ .

Which expression is equal to the moment of W about the pivot?

- A Wd
- B $Wd \cos \theta$
- C $Wd \sin \theta$
- D $Wd \tan \theta$

(Total for Question 2 = 1 mark)



- 3 A space rocket lifts off vertically.

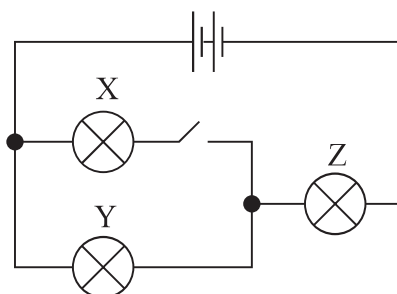


The rocket lifts off because

- A the exhaust gases exert a force on the ground.
 B the exhaust gases exert a force on the rocket.
 C the ground exerts a force on the rocket.
 D the rocket exerts a force on the ground.

(Total for Question 3 = 1 mark)

- 4 A circuit consists of three identical 1.5 V bulbs connected to two 1.5 V cells.



The switch is closed.

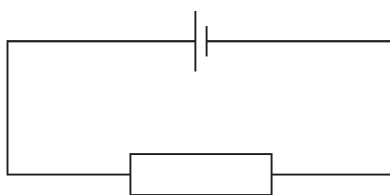
Which row describes the change in brightness of bulb Y and bulb Z?

	Y	Z
<input type="checkbox"/> A	brighter	brighter
<input type="checkbox"/> B	brighter	dimmer
<input type="checkbox"/> C	dimmer	brighter
<input type="checkbox"/> D	dimmer	dimmer

(Total for Question 4 = 1 mark)



- 5 A cell of e.m.f. 1.5 V is connected to a 5.0Ω resistor. The terminal potential difference across the cell is 1.0 V .

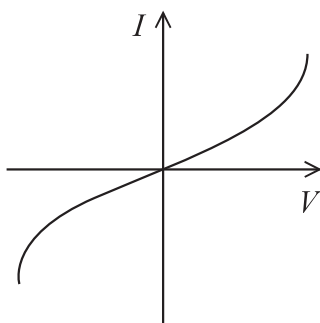


Which of the following is the current in the circuit?

- A 0.1 A
 B 0.2 A
 C 0.3 A
 D 0.5 A

(Total for Question 5 = 1 mark)

- 6 The diagram shows a graph of current I against potential difference V for an electrical component.



Which of the following components would produce a graph of this shape?

- A filament bulb
 B metallic conductor
 C negative temperature coefficient thermistor
 D ohmic conductor

(Total for Question 6 = 1 mark)

DO NOT WRITE IN THIS AREA

DO NOT WRITE IN THIS AREA

DO NOT WRITE IN THIS AREA



7 The force between two identical point charges, X and Y, is F .

Charge X is doubled; charge Y remains the same.

Which row of the table gives the force on each charge?

	X	Y
<input type="checkbox"/> A	F	F
<input type="checkbox"/> B	F	$2F$
<input type="checkbox"/> C	$2F$	F
<input type="checkbox"/> D	$2F$	$2F$

(Total for Question 7 = 1 mark)

8 A capacitor of capacitance C is discharged through a resistor of resistance R .
The initial discharge current is I_0 .

Which of the following expressions gives the current after a time equal to RC ?

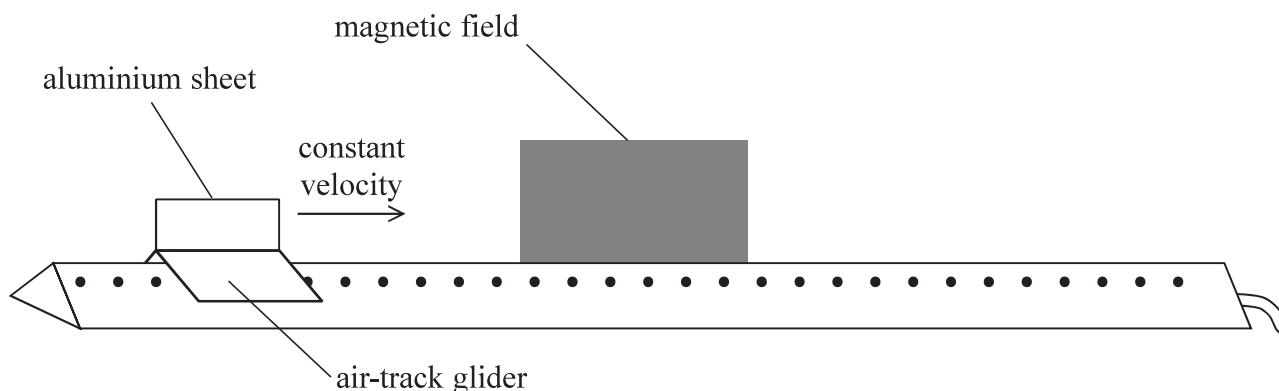
- A $\frac{I_0}{e}$
- B $\frac{I_0}{2}$
- C $I_0 e^{-RC}$
- D $I_0 \ln \frac{1}{e}$

(Total for Question 8 = 1 mark)



- 9 A rectangular sheet of aluminium is attached to an air-track glider as shown.

The glider moves towards a region of uniform magnetic field at a constant velocity. When the glider enters the magnetic field, the magnetic flux is perpendicular to the aluminium sheet.



Which row of the table describes the velocity of the glider as it enters the magnetic field, when it is completely within the magnetic field and as it leaves the magnetic field?

	Enters the magnetic field	Within the magnetic field	Leaves the magnetic field
<input type="checkbox"/> A	constant	decreasing	constant
<input type="checkbox"/> B	decreasing	constant	increasing
<input type="checkbox"/> C	decreasing	constant	decreasing
<input type="checkbox"/> D	decreasing	decreasing	decreasing

(Total for Question 9 = 1 mark)

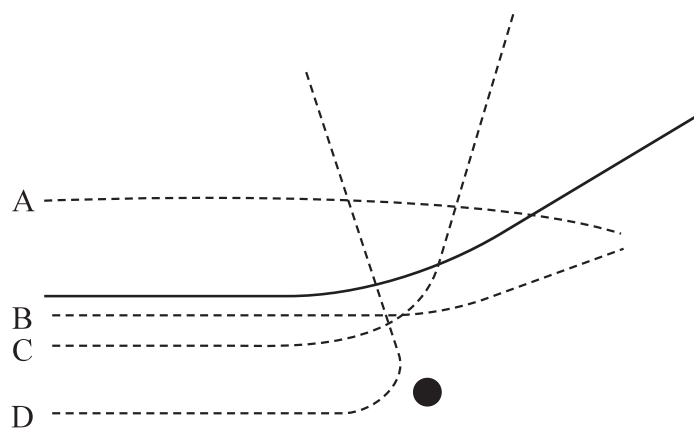
DO NOT WRITE IN THIS AREA

DO NOT WRITE IN THIS AREA

DO NOT WRITE IN THIS AREA



10 The solid line shows the path of an alpha particle as it passes close to a nucleus.



Another alpha particle approaches the nucleus with the same initial kinetic energy.

Which dashed path is possible for this alpha particle?

- A
- B
- C
- D

(Total for Question 10 = 1 mark)

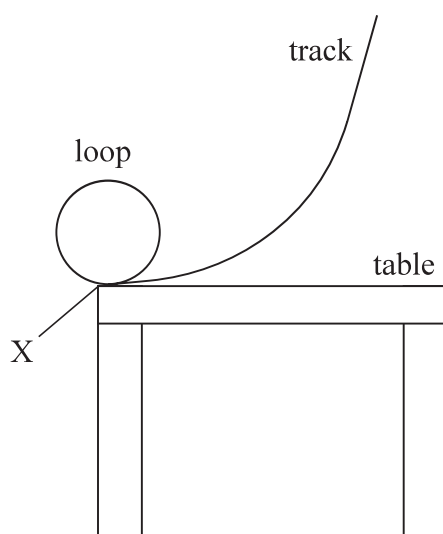
DO NOT WRITE IN THIS AREA

DO NOT WRITE IN THIS AREA

DO NOT WRITE IN THIS AREA



11 A track for toy cars can be built with a circular loop as shown.



A toy car is placed on the track at various heights. It travels around the loop before leaving the track horizontally at X.

- (a) The loop has radius r and the mass of the toy car is m . It is possible for a toy car to complete the loop without losing contact with the inside of the track.

For this to occur the minimum speed of the toy car at the top of the loop v_{top} is given by

$$v_{\text{top}} = \sqrt{gr}$$

Explain why.

(2)

DO NOT WRITE IN THIS AREA

DO NOT WRITE IN THIS AREA

DO NOT WRITE IN THIS AREA



DO NOT WRITE IN THIS AREA

DO NOT WRITE IN THIS AREA

DO NOT WRITE IN THIS AREA

(b) The toy car just completes the loop without losing contact with the track.

Show that the speed of the toy car at the bottom of the loop is about 3 m s^{-1} .

$$r = 0.15 \text{ m}$$

(3)

(c) The toy car leaves the track at X with a horizontal velocity of 3.0 m s^{-1} .

X is 0.65 m above the floor.

Calculate the horizontal displacement of the car from X when it hits the floor.

(4)

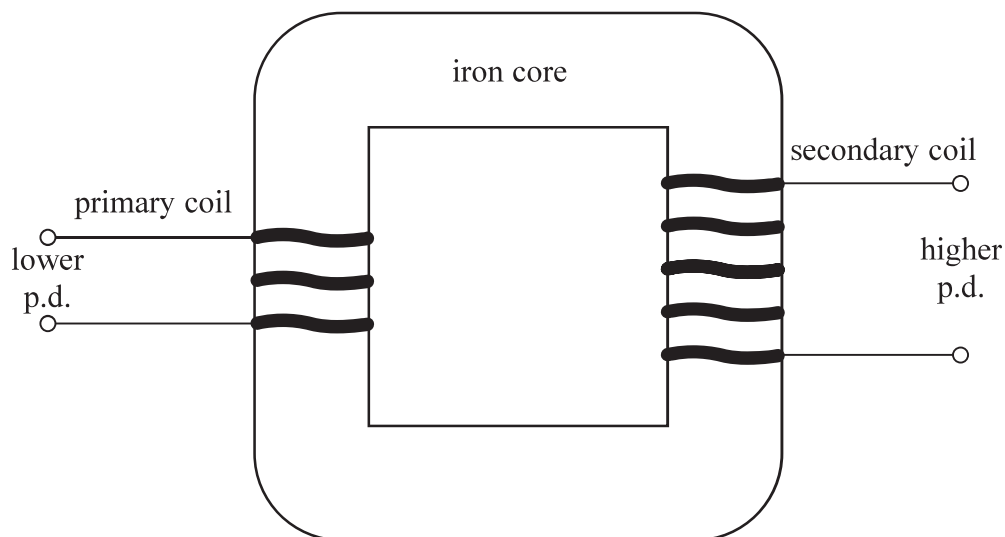
Horizontal displacement =

(Total for Question 11 = 9 marks)



12 Electrical transmission systems are used to transmit electrical power from place to place. Transformers are used to change potential differences (p.d.) and power transmission cables are used to transmit power.

(a) The diagram shows a step-up transformer.



A step-up transformer is used to convert a lower p.d. to a higher p.d. An alternating p.d. is applied to the primary coil.

Explain how a higher p.d. is produced across the secondary coil.

(4)

DO NOT WRITE IN THIS AREA

DO NOT WRITE IN THIS AREA

DO NOT WRITE IN THIS AREA

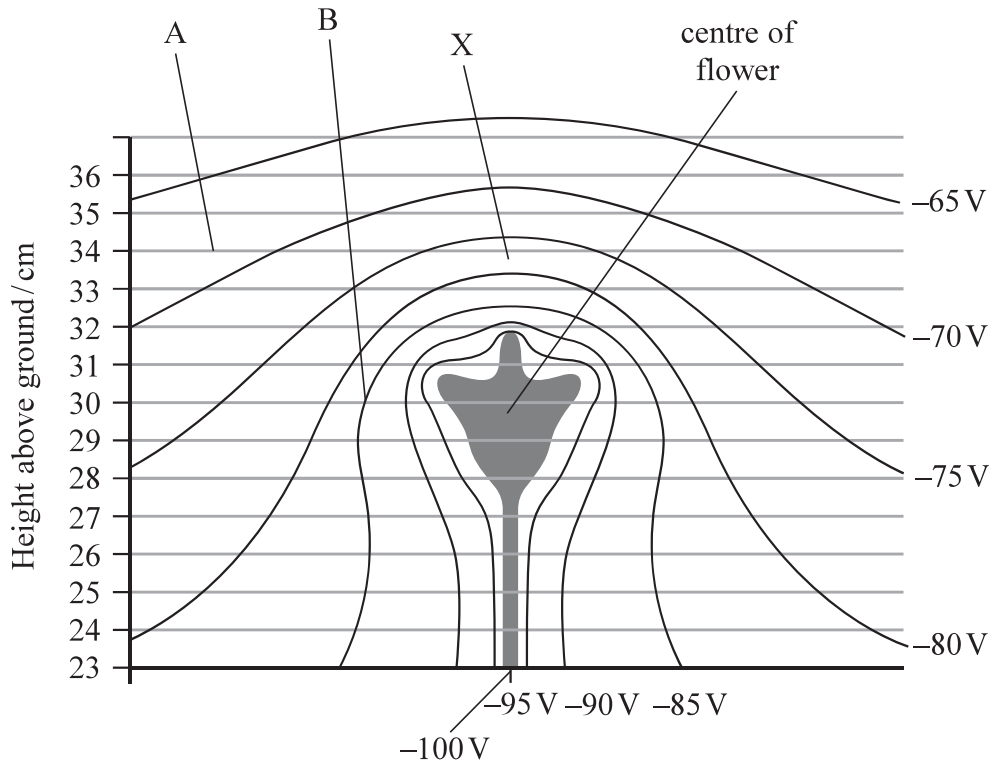


13 Some flowers are negatively charged and surrounded by an electric field. This helps to attract bees.

(a) State what is meant by an electric field.

(1)

(b) The diagram shows lines of equipotential surrounding a flower.



(i) Determine the electric field strength at X.

(3)

Electric field strength at X =

DO NOT WRITE IN THIS AREA

DO NOT WRITE IN THIS AREA

DO NOT WRITE IN THIS AREA



(ii) Draw the electric field line between point A and point B on the diagram.

(2)

(iii) An equation for electric potential V is

$$V = \frac{Q}{4\pi\epsilon_0 r}$$

This applies to a radial field.

Deduce whether the electric field in the region directly above the flower is radial. You should take values from the diagram. A graphical method is not required.

(3)

.....

.....

.....

.....

.....

.....

.....

.....

.....

(c) A bee has short hairs which are thought to carry charge.

State how the bee might use this to detect the electric field of a flower.

(1)

.....

.....

(d) When the bee is collecting nectar from the plant, the electric field strength decreases. It is thought that this warns other bees that the nectar supply is low.

State the effect of a decreased electric field strength on the equipotential lines.

(1)

.....

.....

(Total for Question 13 = 11 marks)

DO NOT WRITE IN THIS AREA

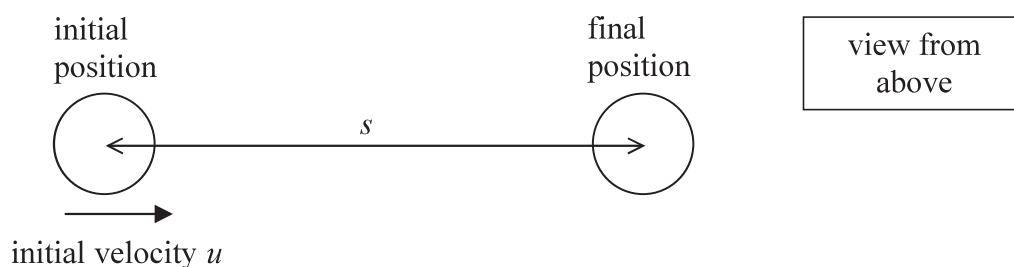
DO NOT WRITE IN THIS AREA

DO NOT WRITE IN THIS AREA



14 A student carried out an experiment with coins.

- (a) She gave a 2p coin a sharp tap, so that it slid along a horizontal surface and came to rest as shown.



The student recorded the distance s moved by the coin.

She then replaced the 2p coin with a 1p coin and repeated the process.

The student read that the frictional force between an object and a surface is directly proportional to the mass of the object. She suggested that, in her experiment, u is directly proportional to \sqrt{s} and is independent of the mass of the coin.

Discuss the validity of this suggestion.

(6)

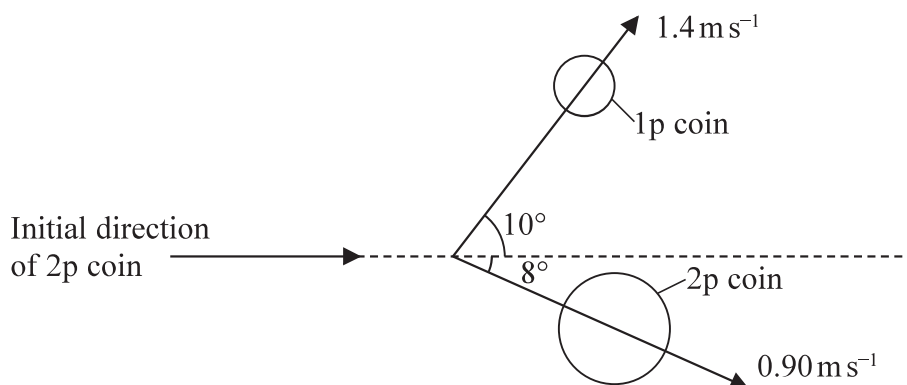
DO NOT WRITE IN THIS AREA

DO NOT WRITE IN THIS AREA

DO NOT WRITE IN THIS AREA



- (b) She arranged a collision between a 2p coin and a stationary 1p coin. She noted the directions in which the coins moved after the collision and determined their velocities.



- (i) Show that the velocity of the 2p coin just before the collision was about 2 m s^{-1} .

mass of 2p coin = 7.1 g

mass of 1p coin = 3.6 g

(4)

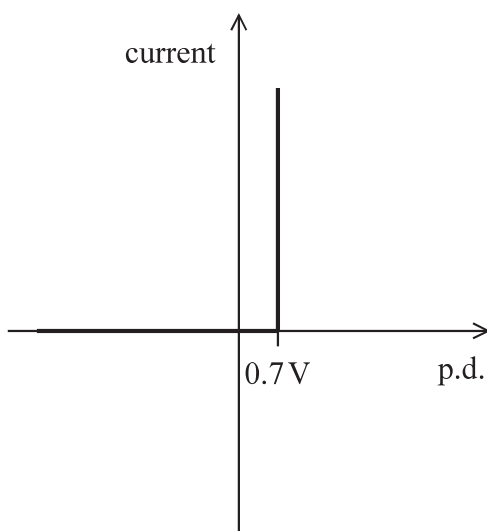
- (ii) Show that the collision was inelastic.

(2)

(Total for Question 14 = 12 marks)



15 The graph shows how current varies with potential difference (p.d.) for an ideal diode.



DO NOT WRITE IN THIS AREA

DO NOT WRITE IN THIS AREA

DO NOT WRITE IN THIS AREA

(a) Describe how the current through this diode varies for positive p.d.s and negative p.d.s. (2)

.....

.....

.....

.....

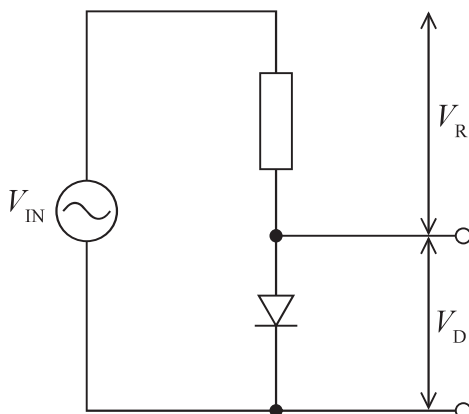
(b) An alternating p.d. V_{IN} has a peak value of 3.4 V.

(i) Calculate the r.m.s. value. (2)

.....

r.m.s. value =

(ii) V_{IN} is applied to a diode and resistor as shown.



DO NOT WRITE IN THIS AREA

DO NOT WRITE IN THIS AREA

DO NOT WRITE IN THIS AREA

The p.d. across the resistor is V_R and the p.d. across the diode is V_D . V_D is the output.

Explain why $V_{IN} = V_R + V_D$ at any given time.

(2)

.....

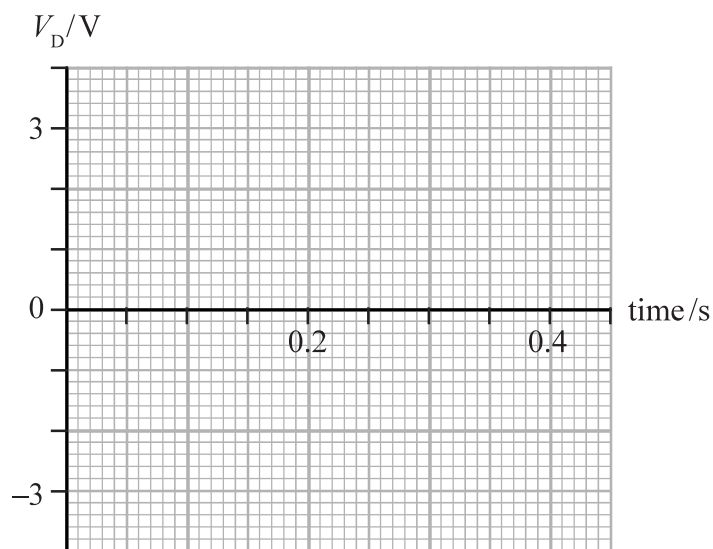
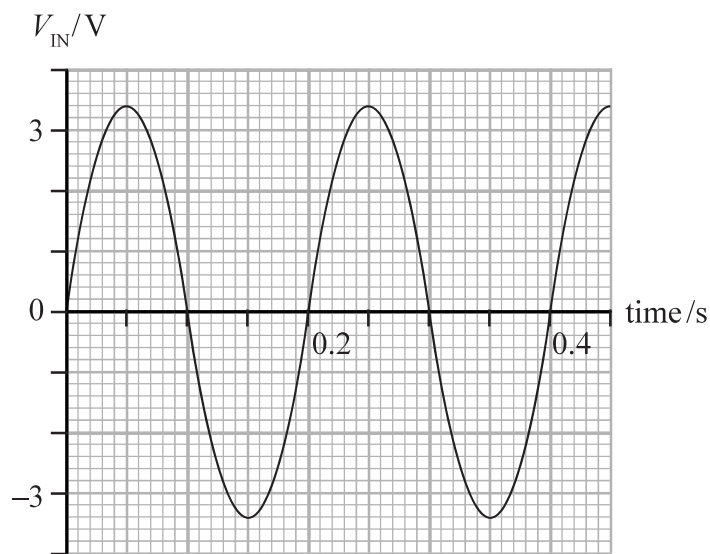
.....

.....

(iii) The graph shows how V_{IN} varies with time.

Sketch a graph of V_D against time using the axes provided below.

(3)



(Total for Question 15 = 9 marks)



16 A muon (μ) is a lepton with a mass of $106 \text{ MeV}/c^2$.

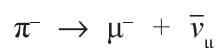
(a) Calculate the mass of a muon in kg.

(3)

Mass of muon = kg

(b) Muons are produced from the decay of pions in the upper atmosphere.

An example of this decay is given by the equation



(i) Explain how this decay obeys the laws of conservation of charge, baryon number and lepton number.

(3)

(ii) The masses of these three particles, in MeV/c^2 , are given below.

π^-	μ^-	$\bar{\nu}_\mu$
140	106	≈ 0

Explain why the total kinetic energy of the products of this decay is approximately 34 MeV . Assume the π^- is stationary.

(2)

DO NOT WRITE IN THIS AREA

DO NOT WRITE IN THIS AREA

DO NOT WRITE IN THIS AREA



(iii) State which two conservation laws could be used to calculate the kinetic energy of the μ^- and the $\bar{\nu}_\mu$ just after the decay of the π^- .

(2)

*(iv) The muons are produced at a height of 10 km in the atmosphere. The velocity of the muons is $0.99c$. The average lifetime for muons is normally $2.2\mu\text{s}$ and yet muons produced in the upper atmosphere are found in significant numbers at sea level.

Discuss this apparent anomaly.

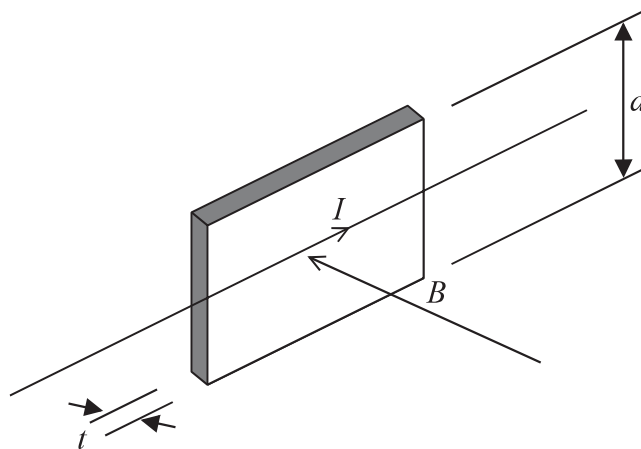
(6)

(Total for Question 16 = 16 marks)



- 17 Tiny sensors in smartphones could be used to determine the position of the phone on the Earth's surface by measuring the Earth's magnetic flux density.

A current I and a magnetic field of flux density B are applied to a slice of semiconductor as shown. The slice has thickness t and depth d .



Electrons collect at the top edge of the slice and the bottom edge becomes positively charged. As a result a potential difference known as a Hall voltage V_{HALL} develops.

- (a) Explain why electrons will collect at the top edge of the slice.

(2)

DO NOT WRITE IN THIS AREA

DO NOT WRITE IN THIS AREA

DO NOT WRITE IN THIS AREA



DO NOT WRITE IN THIS AREA

DO NOT WRITE IN THIS AREA

DO NOT WRITE IN THIS AREA

- (b) Add to the diagram to show clearly two points between which V_{HALL} develops. (1)
- (c) Electrons continue to collect at the top edge of the slice, until the force on a moving electron due to the magnetic field is equal to the force on the electron due to the electric field.

Derive the following equation for V_{HALL} :

$$V_{\text{HALL}} = \frac{BI}{nte}$$

where n is the number of charge carriers per unit volume of the semiconductor. (4)

.....

.....

.....

.....

.....

.....

.....

.....

.....

.....

- (d) Show that the units are the same on each side of the equation

$$V_{\text{HALL}} = \frac{BI}{nte} \quad (3)$$

.....

.....

.....

.....

.....

.....

.....

.....

.....



(e) The table gives the values of n and t for a number of material samples.

material	n/m^{-3}	t/m
copper	8.47×10^{28}	110×10^{-6}
germanium	2.25×10^{19}	1.10×10^{-6}
silicon	1.44×10^{16}	120×10^{-6}

Deduce which sample would result in the largest Hall voltage for a particular current and magnetic field.

(2)

(f) Two sensors in the smartphone were used to determine the horizontal component B_H and the vertical component B_V of the Earth's magnetic flux density.

Calculate the angle of the Earth's magnetic field to the horizontal.

$$B_H = 19.0 \mu\text{T}$$

$$B_V = 49.0 \mu\text{T}$$

(2)

Angle =

(Total for Question 17 = 14 marks)

TOTAL FOR PAPER = 90 MARKS



List of data, formulae and relationships

Acceleration of free fall	$g = 9.81 \text{ m s}^{-2}$	(close to Earth's surface)
Boltzmann constant	$k = 1.38 \times 10^{-23} \text{ J K}^{-1}$	
Coulomb law constant	$k = \frac{1}{4\pi\epsilon_0} = 8.99 \times 10^9 \text{ N m}^2 \text{ C}^{-2}$	
Electron charge	$e = -1.60 \times 10^{-19} \text{ C}$	
Electron mass	$m_e = 9.11 \times 10^{-31} \text{ kg}$	
Electronvolt	$1 \text{ eV} = 1.60 \times 10^{-19} \text{ J}$	
Gravitational constant	$G = 6.67 \times 10^{-11} \text{ N m}^2 \text{ kg}^{-2}$	
Gravitational field strength	$g = 9.81 \text{ N kg}^{-1}$	(close to Earth's surface)
Permittivity of free space	$\epsilon_0 = 8.85 \times 10^{-12} \text{ F m}^{-1}$	
Planck constant	$h = 6.63 \times 10^{-34} \text{ J s}$	
Proton mass	$m_p = 1.67 \times 10^{-27} \text{ kg}$	
Speed of light in a vacuum	$c = 3.00 \times 10^8 \text{ m s}^{-1}$	
Stefan-Boltzmann constant	$\sigma = 5.67 \times 10^{-8} \text{ W m}^{-2} \text{ K}^{-4}$	
Unified atomic mass unit	$u = 1.66 \times 10^{-27} \text{ kg}$	

Mechanics

Work, energy and power

Kinematic equations of motion

$$s = \frac{(u + v)t}{2}$$

$$v = u + at$$

$$s = ut + \frac{1}{2}at^2$$

$$v^2 = u^2 + 2as$$

$$\Delta W = F\Delta s$$

$$E_k = \frac{1}{2}mv^2$$

$$\Delta E_{\text{grav}} = mg\Delta h$$

$$P = \frac{E}{t}$$

$$P = \frac{W}{t}$$

Forces

$$\Sigma F = ma$$

$$g = \frac{F}{m}$$

$$W = mg$$

$$\text{moment of force} = Fx$$

$$\text{efficiency} = \frac{\text{useful energy output}}{\text{total energy input}}$$

$$\text{efficiency} = \frac{\text{useful power output}}{\text{total power input}}$$

Momentum

$$p = mv$$



Electric circuitsPotential difference

$$V = \frac{W}{Q}$$

Resistance

$$R = \frac{V}{I}$$

Electrical power and energy

$$P = VI$$

$$P = I^2R$$

$$P = \frac{V^2}{R}$$

$$W = VIt$$

Resistivity

$$R = \frac{\rho l}{A}$$

Current

$$I = \frac{\Delta Q}{\Delta t}$$

$$I = nqvA$$

MaterialsDensity

$$\rho = \frac{m}{V}$$

Stokes' law

$$F = 6\pi\eta rv$$

Hooke's law

$$\Delta F = k\Delta x$$

Young modulus

$$\text{Stress } \sigma = \frac{F}{A}$$

$$\text{Strain } \varepsilon = \frac{\Delta x}{x}$$

$$E = \frac{\sigma}{\varepsilon}$$

Elastic strain energy

$$\Delta E_{\text{el}} = \frac{1}{2}F\Delta x$$

Waves and Particle Nature of LightWave speed

$$v = f\lambda$$

Speed of a transverse wave on a string

$$v = \sqrt{\frac{T}{\mu}}$$

Intensity of radiation

$$I = \frac{P}{A}$$

Power of a lens

$$P = \frac{1}{f}$$

$$P = P_1 + P_2 + P_3 + \dots$$

Thin lens equation

$$\frac{1}{u} + \frac{1}{v} = \frac{1}{f}$$

Magnification for a lens

$$m = \frac{\text{image height}}{\text{object height}} = \frac{v}{u}$$

Diffraction grating

$$n\lambda = d \sin \theta$$

DO NOT WRITE IN THIS AREA

DO NOT WRITE IN THIS AREA

DO NOT WRITE IN THIS AREA



Refractive index

$$n_1 \sin \theta_1 = n_2 \sin \theta_2$$

$$n = \frac{c}{v}$$

Critical angle

$$\sin C = \frac{1}{n}$$

Photon model

$$E = hf$$

Einstein's photoelectric equation

$$hf = \phi + \frac{1}{2}mv_{\max}^2$$

de Broglie wavelength

$$\lambda = \frac{h}{p}$$

Further mechanicsImpulse

$$F\Delta t = \Delta p$$

Kinetic energy of a non-relativistic particle

$$E_k = \frac{p^2}{2m}$$

Motion in a circle

$$v = \omega r$$

$$T = \frac{2\pi}{\omega}$$

$$F = ma = \frac{mv^2}{r}$$

$$a = \frac{v^2}{r}$$

$$a = r\omega^2$$

Centripetal force

$$F = \frac{mv^2}{r}$$

$$F = mr\omega^2$$

FieldsCoulomb's law

$$F = k \frac{Q_1 Q_2}{r^2}$$

$$\text{where } k = \frac{1}{4\pi\epsilon_0}$$

Electric field strength

$$E = \frac{F}{Q}$$

$$E = k \frac{Q}{r^2}$$

$$E = \frac{V}{d}$$

Electric potential

$$V = k \frac{Q}{r}$$

Capacitance

$$C = \frac{Q}{V}$$

Energy stored in a capacitor

$$W = \frac{1}{2}QV$$

Capacitor discharge

$$Q = Q_0 e^{-t/RC}$$

Resistor – capacitor discharge

$$I = I_0 e^{-t/RC}$$

$$V = V_0 e^{-t/RC}$$

In a magnetic field

$$F = BIl \sin \theta$$

$$F = Bqv \sin \theta$$

Faraday's and Lenz's laws

$$\mathcal{E} = \frac{-d(N\phi)}{dt}$$

Root-mean-square values

$$V_{\text{rms}} = \frac{V_0}{\sqrt{2}}$$

$$I_{\text{rms}} = \frac{I_0}{\sqrt{2}}$$



Nuclear and particle physicsIn a magnetic field

$$r = \frac{p}{BQ}$$

ThermodynamicsHeating

$$\Delta E = mc\Delta\theta$$

$$\Delta E = L\Delta m$$

Molecular kinetic theory

$$\frac{1}{2}m\langle c^2 \rangle = \frac{3}{2}kT$$

$$pV = \frac{1}{3}Nm\langle c^2 \rangle$$

Ideal gas equation

$$pV = NkT$$

Stefan-Boltzmann law

$$L = \sigma AT^4$$

$$L = \sigma 4\pi r^2 T^4$$

Wien's law

$$\lambda_{\max} T = 2.898 \times 10^{-3} \text{ m K}$$

SpaceIntensity

$$I = \frac{L}{4\pi d^2}$$

Redshift of electromagnetic radiation

$$z = \frac{\Delta\lambda}{\lambda} \approx \frac{\Delta f}{f} \approx \frac{v}{c}$$

Cosmological expansion

$$v = H_0 d$$

Nuclear radiationMass-energy

$$\Delta E = c^2 \Delta m$$

Radioactive decay

$$A = \lambda N$$

$$\frac{dN}{dt} = -\lambda N$$

$$\lambda = \frac{\ln 2}{t_{1/2}}$$

$$N = N_0 e^{-\lambda t}$$

$$A = A_0 e^{-\lambda t}$$

Gravitational fieldsGravitational force

$$F = \frac{Gm_1 m_2}{r^2}$$

Gravitational field strength

$$g = \frac{Gm}{r^2}$$

Gravitational potential

$$V_{\text{grav}} = \frac{-Gm}{r}$$

OscillationsSimple harmonic motion

$$F = -kx$$

$$a = -\omega^2 x$$

$$x = A \cos \omega t$$

$$v = -A\omega \sin \omega t$$

$$a = -A\omega^2 \cos \omega t$$

$$T = \frac{1}{f} = \frac{2\pi}{\omega}$$

$$\omega = 2\pi f$$

Simple harmonic oscillator

$$T = 2\pi \sqrt{\frac{m}{k}}$$

$$T = 2\pi \sqrt{\frac{l}{g}}$$



DO NOT WRITE IN THIS AREA

DO NOT WRITE IN THIS AREA

DO NOT WRITE IN THIS AREA

BLANK PAGE



DO NOT WRITE IN THIS AREA

DO NOT WRITE IN THIS AREA

DO NOT WRITE IN THIS AREA

BLANK PAGE

